

## Grab Bars

### Assembly, Installation and Operating Instructions

#### SAVE THESE INSTRUCTIONS

*NOTE: Check ALL parts for shipping damage. In case of shipping damage, DO NOT use. Contact Carrier/Dealer for further instructions.*

#### SAFETY SUMMARY

TO ensure the safe setup and installation of the Grab Bars, these instructions **MUST** be followed:

#### GENERAL WARNINGS

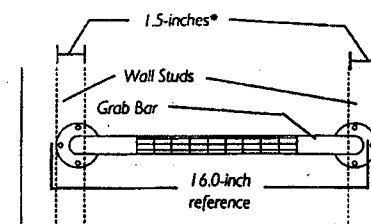
**DO NOT** install this equipment without first reading and understanding this instruction sheet. If you are unable to understand these Warnings, Cautions and Instructions, contact a healthcare professional, dealer or technical personnel if applicable before attempting to install this equipment - otherwise, injury or damage may occur.

After ANY adjustments, repair or service and **BEFORE** use, make sure all attaching hardware is tightened securely.

Grab Bars add security for bath and commode areas when attached as recommended. To provide optimum safety and function, location, size, and angle of bar(s) **MUST** be determined by a qualified professional. Use **EXTEREME** caution on wet tub or floor surfaces.

Users with limited physical capabilities should be supervised or assisted when using Grab Bars.

The Grab Bars can provide support and increases stability for an individual weighing up to 250 lbs. (114 kg.). Grab bars are **NOT** designed to support the total weight of an individual. Use the bar for assistance **ONLY**.



\*NOTE: This width may vary depending on the age of the home.

NOTE: Grab bar shown is White Vinyl Coated or Chrome.

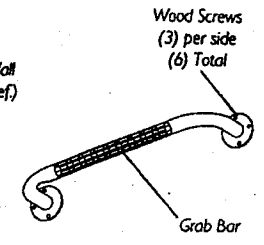
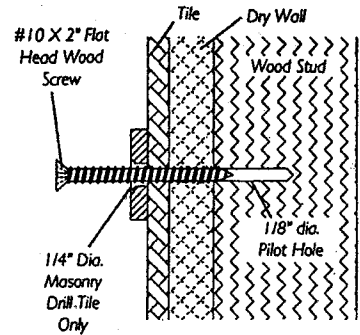


FIGURE I - INSTALLING GRAB BARS

## USING GRAB BARS

NOTE: Refer to the WARNINGS in the SAFETY SUMMARY of this instruction sheet.

1. Grasp the grab bar when exiting or entering the bath tub.

## CARE AND MAINTENANCE

1. Use of mild soap and water or a non-abrasive cleaner is recommended for cleaning.
2. Periodically inspect the grab bar for damage or looseness, etc.  
**DO NOT** use if any damage exists. Contact your authorized Invacare dealer.

- 
1. Remove the grab bar from the packaged container.
  2. Determine placement for the grab bar.
  3. Place grab bar on wall at desired position.
  4. With a pencil, mark the hole positions on one side.
  5. Repeat STEP 4 for the other side of the grab bar.
  6. Place grab bar aside.

### **WARNING**

**When drilling into the wall, exercise care to avoid any electrical wiring or plumbing that may be located behind the wall. As older homes do not always fall in line with current housing codes and requirements, know where internal wall wiring is located so that no wires will interfere with your installation.**

**Damaged electrical wiring can cause electrical shock and fire. Proper installation is extremely important. Special fasteners may be required if wood is not in desired location. If in doubt, installation should be done by a qualified professional.**

---

*NOTE: If installing grab bar over ceramic tile, a carbide drill bit will be required for proper drilling.*

7. Use the 3/8-inch power drill and 1/8-inch drill bit to drill all holes into the wall and wall stud(s) at the marked positions.
8. Place grab bar on wall aligning mounting holes with the holes in the wall.
9. Insert screws into one side of the grab bar  
**(HAND TIGHTEN ONLY!)**
10. Repeat STEP 9 for opposite side of the grab bar.
11. Securely tighten all mounting screws.

## INSTALLATION WARNINGS

For proper installation, Grab Bars **MUST** be aligned so the mounting brackets are positioned over wall studs. At least two (2) of the three (3) screws on each end of the grab bar **MUST** go through the wallboard or tile and secure into the wall studs for solid support.

Be sure Grab Bars are correctly and securely installed.  
**NEVER** use Grab Bars if any looseness is noted.

### *Tools Required:*

*3/8-inch power Drill*

*1/8-inch Drill Bit*

*# 2 Phillips Screwdriver*

## INSTALLING GRAB BARS (FIGURE I)

*NOTE: Refer to the GENERAL WARNINGS and INSTALLATION WARNINGS in the SAFETY SUMMARY of this instruction sheet.*

## WARNING

Before installation, locate the wall studs behind the wall (a stud finder can be obtained from a hardware store). Standard measurement of wall studs is 16-inches between centers (FIGURE I). As older homes do not always fall in line with current codes, locating the wall studs is imperative. Grab Bars can be installed vertically, horizontally or at an angle, but the screw holes of the grab bar **MUST** be aligned so at least two (2) of the three (3) mounting screws are secured into the wall studs.