

# Lifetime Limited Warranty

The product is warranted to be free of defects in materials and workmanship for the lifetime of the original consumer purchaser.

This device was built to exacting standards and carefully inspected prior to shipment. This Lifetime Limited Warranty is an expression of our confidence in the materials and workmanship of our products and our assurance to the consumer of years of dependable service.

In the event of a defect covered by this warranty, we will, at our option, repair or replace the device.

This warranty does not cover device failure due to owner misuse or negligence, or normal wear and tear. The warranty does not extend to non-durable components, such as rubber accessories, casters, and grips, which are subject to normal wear and need periodic replacement.

If you have a question about your product or this warranty, please contact an authorized dealer.



**MERITS HEALTH PRODUCTS, INC.**

P.O. BOX 150356  
Cape Coral, FL 33915  
1-800-963-7487  
1-800-(9-MERITS)

[www.meritshealth.com](http://www.meritshealth.com)

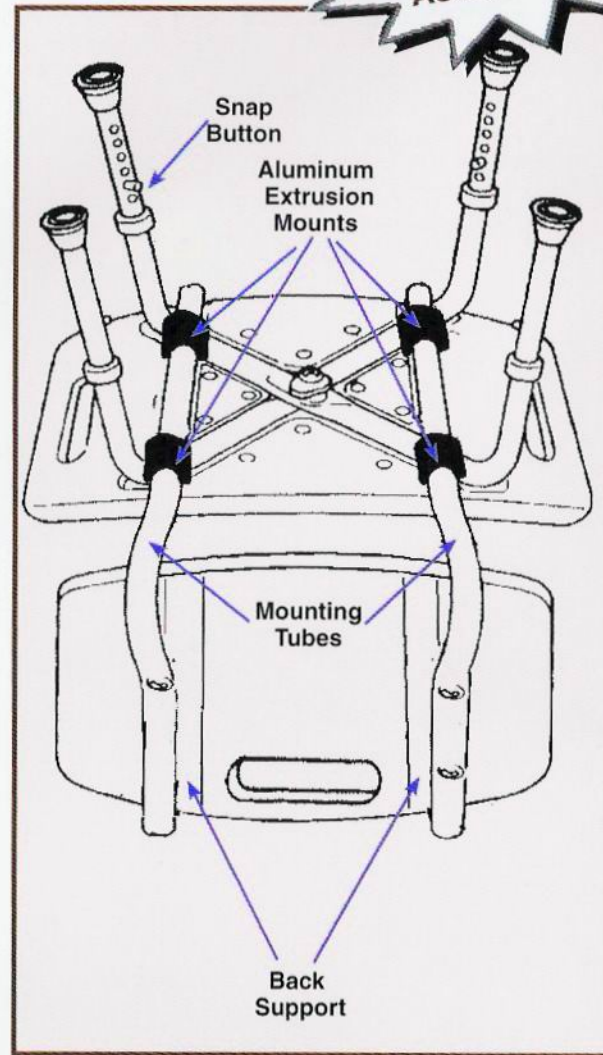


**Bath Bench  
With Back Shown**

## Bath Bench

**Instructions & Warranty  
Information**

Figure 1



## Assembly Instructions

(Read Instructions Carefully Before Installing)

- 1 Place assembled Bath Bench upside down on work surfaces shown in Figure 1.
- 2 Attach back support by sliding mounting tubes through aluminum extrusion mounts and lock into place with spring loaded push-pins.

Periodically check assembly for continued tightness. NEVER USE BATH SAFETY SEAT IF ANY LOOSENESS IN THE ASSEMBLY IS NOTICED, AS PERSONAL INJURY MAY RESULT. SIT. DO NOT STAND on this seat to avoid a possible dangerous fall.

CAUTION: Maximum weight limitation for this product not to exceed 300 lbs. Meets ANSI Standard A117.1 Specifications.

NOTE: To maintain the beauty of the original finish, clean with mild soap and rinse with warm water. Wipe bath seat dry after each